

Integrated Audiovisual Intelligent Endpoint

UT31



UT31 adopts Qualcomm Snapdragon 625 processor, supports Android operating system, and supports multiple video conferencing software and client applications. The terminal platform adopts integrated design, embedded with 4K ultra-high definition optical lens and sensor, designed with multiple audio/video input / output interfaces, integrating audio and video interaction, desktop sharing, multimedia sharing and recording functions to meet various high end conference systems needs.

Features

- **Integrated platform design**
Support 2x HDMI output, LAN port, 2x USB2.0 port, 2.4G/5G wifi, bluetooth connection, perfectly integrating camera with conference terminal platform.
- **Snapdragon 625 processor**
Snapdragon™ 625 processor uses the world's leading 14nm technology and integrates the Qualcomm® Adreno™ 506 PC-class graphics processor.
- **Compact design**
Applies integrated compact design, with a built-in camera and multiple interfaces. Small size, rich interface, convenient connection, easy installation and maintenance.
- **Open hardware platform and SDK**
Fully support user's secondary development to achieve customization needs.
- **Excellent platform compatibility** Users can develop protocol stacks such as H.323/SIP, which can achieve good interoperability with popular standard terminals and MCU, facilitating customer's expansion and upgrading.
- **Wireless WiFi**
Supports standard wireless protocols, with simple and efficient deployment.
- **Local storage** Support SD card storage, U disk storage, storage space up to 64G;
- **Ultra HD** 1/2.5 inch 4K high quality image sensor with a maximum resolution up to 4K and an output frame rate up to 30fps.
- **Wide-angle undistorted lens** 87°FOV, undistorted lens.
- **High Signal-to-Noise Ratio(SNR)** Low noise CMOS effectively guarantees the super high SNR. Advanced 2D, 3D noise reduction technology further reduces noise while ensuring image clarity.

Phone: +86-17771843647

Tel: +86-755-33288582

E-mail: claire@mingricctv.com

Web: www.minrraycam.com

Address: 5&6 Floor, Building 13-A, ZhongHaiXin Technology Park, Ganli Road, Lilang Avenue, Buji, Shenzhen 518112, China

- **Multiple video compression standards** Support H.265/H.264 video compression.
- **Low power sleep function** Support low power sleep/wake-up modes.
- **Applications** Conference, education, medical, government, cloud , collaborative office, multimedia integration, emergency command, broadcasting, judicial, public security, military,etc.

Technical Parameters

Platform Input/Output	
HDMI Output	1x main stream HDMI output(support audio output) 1x auxiliary stream HDMI output
USB Port	2x USB2.0 port, for connecting external keyboard,mouse and storage device,etc. 1x Micro USB port, support OTG upgrading / setting
LAN	100/10BASE-TX
WiFi	Support 802.11ac protocol, 2.4G/5G
Built in MIC	Built-in 2x analog MIC input
Bluetooth	Bluetooth 4.1, low power consumption, support Bluetooth device connection
Audio input/output	3.5mm linear input/output
SD Card	Support SD card storage
Wireless remote control	Built-in wireless receiver module to support 2.4GHz carrier frequency
Power supply	HEC3800 socket(DC12V)
Android Platform Parameter	
Main Chip	Snapdragon 625 processor
CPU	CPU Core:8 core CPU, ARM cotex-a53 CPU Clock speed: main frequency reaches 2.0GHz CPU structure: 64bit
GPU	Qualcomm® Adreno™ 509 GPU API: OpenGL ES 3.1+
DSP technology	Qualcomm® Hexagon™ DSP Qualcomm All-Ways Aware™ technology
Internal storage	Storage: 2.0G ,storing speed: 933MHz ; storage type: LPDDR3
Memory	eMMC: eMMC 5.1 ,storage space: 16G
Network	Support 802.11 ac Wi-Fi
Camera/lens Parameters	
sensor	1/2.5 inch high quality 4K CMOS sensor
Effective pixel	8.28mega pixels,16: 9
Video compression	H.265,H.264
Focal length	3.24mm
View angle	94.8° (D) ,86.6° (H) ,56° (V)

Phone:+86-17771843647

Tel:+86-755-33288582

E-mail:claire@mingricctv.com

Web:www.minrraycam.com

Address: 5&6 Floor,Building 13-A,ZhongHaiXin Technology Park,Ganli Road,Lilang Avenue,Buji,Shenzhen 518112,China

IRIS	F2.1
Digital noise reduction	2D & 3D DNR
White Balance	auto/manual/fluorescence/incandescence/day light/cloudy
Exposure	auto/manual
Video adjustment	Saturation, contrast, sharpness, wide dynamic range
SNR	>55dB
Other parameters	
Power supply adapter	AC110V-AC220V 转 DC12V/1.5A
Input voltage	DC12V±10%
Input current	1A (MAX)
Consumption	12W(MAX)
Storage temperature	-10℃~+60℃
Storage humidity	20%~95%
Working temperature	-10℃~+50℃
Working humidity	20%~80%
Dimension	222mm×93.25mm×56.5mm (L*W*H)
Application	indoor
Accessories	user manual, warranty card, power supply adapter,wireless remote controller

Phone:+86-17771843647

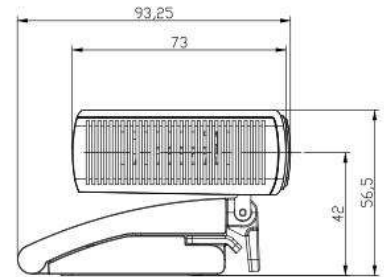
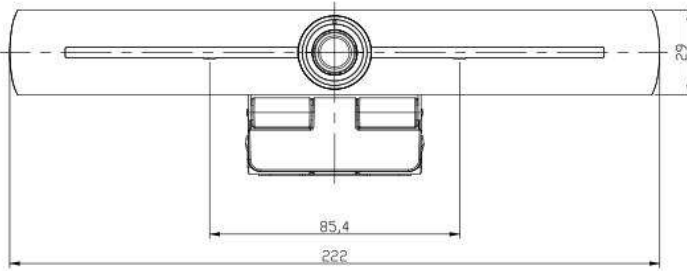
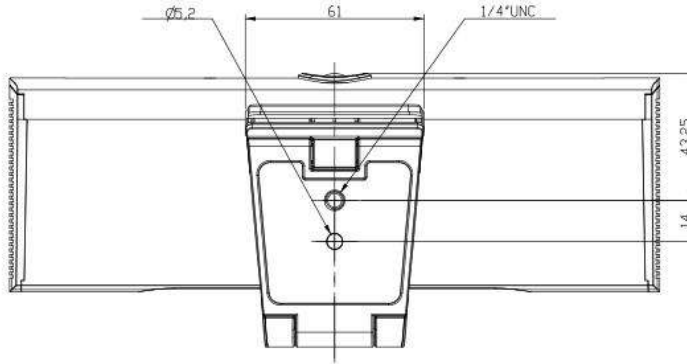
Tel:+86-755-33288582

E-mail:claire@mingricctv.com

Web:www.minrraycam.com

Address: 5&6 Floor,Building 13-A,ZhongHaiXin Technology Park,Ganli Road,Lilang Avenue,Buji,Shenzhen 518112,China

Dimension drawing(Unit: mm)



Phone:+86-17771843647

Tel:+86-755-33288582

E-mail:claire@mingricctv.com

Web:www.minrraycam.com

Address: 5&6 Floor,Building 13-A,ZhongHaiXin Technology Park,Ganli Road,Lilang Avenue,Buji,Shenzhen 518112,China